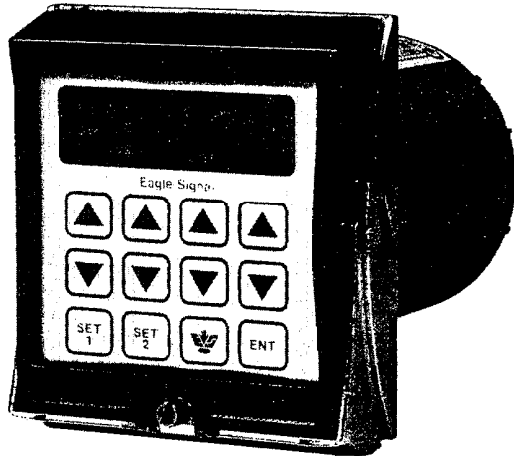




CX100 SERIES SOLID STATE REPEAT CYCLE TIMER



The CX100 timer is a solid state repeat cycle timer that will alternately turn an output on and off as long as power is applied to the unit. The CX100 timer is a microprocessor based timer with digital setting for greater setting accuracy than can be achieved with analog style repeat cycle timers. In addition to its greater setting accuracy, the CX100 timer is fully programmable to provide a number of time ranges and operating modes in one unit.

The ON and OFF time ranges for the CX100 timer are individually programmable for four time ranges from 199.99 seconds to 199 hours and 59 minutes. The CX100 timer is also programmable to have the ON time first instead of the OFF time first, and to reset or non-reset on power interruption. The time ranges and the operating characteristics of the unit are programmed using 7 miniature rocker switches located inside the unit housing.

The CX100 timer is housed in a standard CYCL-FLEX® enclosure. This plug-in enclosure is designed to allow easy timer removal for programming changes and service.

The time cycle is shown on a 0.5 inch high, 4½ digit (19999) liquid crystal display. Annunciators at the right hand side of the display indicate the operating mode. These annunciators flash to indicate when the timer is in the ON time cycle, and are constantly ON to indicate when the timer is in the OFF time cycle.

The CX100 timer has two socket mount 10 amp output relays. One set of relay contacts perform the ON/OFF cycle switching. The other relay is a set of instantaneous contacts that energize when power is applied to the start input of the unit, and do not deenergize until power is disconnected from the start input.

The CX100 timer includes a time inhibit input which allows the timing function to be stopped without resetting the unit.

SPECIFICATIONS

Time Ranges

MAXIMUM RANGE	MINIMUM SETTING
199.99 Sec	01 Sec
1999.9 Sec	1 Sec
199 Min:59 Sec	1 Sec
199 Hr:59 Min	1 Min

Operating Voltage & Frequency

SYMBOL VOLTAGE & FREQUENCY

A6	120 VAC 50/60 Hz
B6	240 VAC 50/60 Hz

Setting Accuracy

± 0.05% or 50ms, whichever is larger (0° to 60°C)

Repeat Accuracy

± .001% or 35ms, whichever is larger (0° to 60°C)

Reset Time

30 ms following voltage removal from simulated clutch input (CR1)

Operating Temperature

+32° to +140°F (0° to 60°C)

Operating Voltage/Frequency

SYMBOL VOLTAGE & FREQUENCY

A6	120 VAC 50/60 Hz
B6	240 VAC 50/60 Hz

Output Rating

Relay — 10 Amp 120 VAC

Mechanical Life — 20 million operations

Electrical Life — contingent upon controlled load

Vibration

Unit function is unaffected by 2.5g sinusoidal vibration magnitude in both directions of the perpendicular mounting axes imposed from 10 to 100 Hz.

Static Discharge

Unit operation unaffected by a constant 3600 volt peak, 60 Hz discharge applied to the grounded front plate of the unit at a relative humidity of less than 25%.

Battery Life

The CX uses a lithium battery with an expected life of 10 years.

Power On Response Time

300 ms maximum after voltage applied to terminal 11.

Eagle Signal Controls

A. Mark IV Industries Company

8004 Cameron Road, Austin, Texas 78753 U.S.A.

Dynapar, Veeder Root, and Eagle Signal Brands:

Sales, Repair, and Application Support:
1675 Delany Rd.
Gurnee, IL. 60031
847-662-4150 Sales/Order Entry Fax
847-782-5277 Applications Support Fax
800-873-8731 Sales/Order Entry
800-234-8731 Applications Support

NorthStar Brand:

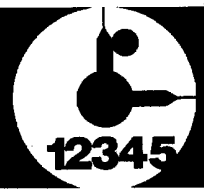
Sales, Repair, and Application Support:
1675 Delany Rd.
Gurnee, IL. 60031
847-782-5288 Sales/Order Entry Fax
847-782-5277 Applications Support Fax
800-326-6216 Sales/Order Entry
800-326-6216 Applications Support

Partlow, West, Rustrak, and LFE Brands:

Sales, Repair, and Application Support:
1675 Delany Rd.
Gurnee, IL. 60031
847-662-4150 Sales/Order Entry Fax
847-782-5277 Applications Support Fax
800-873-8731 Sales/Order Entry
800-866-6659 Applications Support

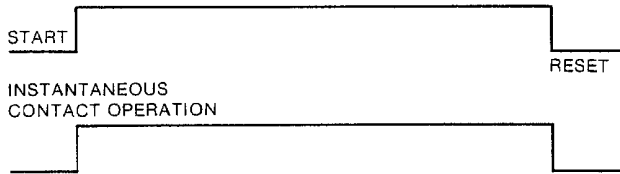
Please disregard all phone numbers and addresses in this manual. The phone numbers and address on this page are the correct phone number and addresses to use for sales, repair, and application support.

TIME CONTROL



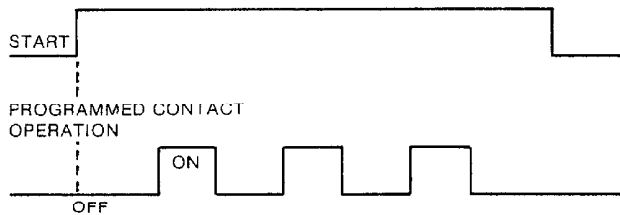
OUTPUT OPERATION

The CX100 timer has two sets of relay outputs. One set of contacts are instantaneous contacts that energize when power is applied to the start circuit. The instantaneous contacts remain energized until the unit is reset.

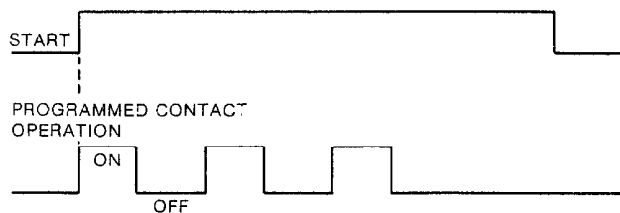


The other set of relay contacts provides the ON/OFF REPEAT CYCLE OPERATION. THE PROGRAMMING OF THE ON/OFF time first provides two operating modes for these programmed contacts.

OFF Time First/Repeat Cycle Operation



ON Time First/Repeat Cycle Operation



RESET MODE

The CX100 Timer can be programmed to either reset or stop at its current position in the timing cycle if power is removed from the unit. With DIP switch 7 turned off, if the control switch to terminal 1 is opened, or if power is interrupted to terminal 11, the CX100 timer will reset to the beginning of the first time cycle. With switch 7 turned on, if power is removed from terminal 1 or 11, the CX100 timer will stop where it was in the timing cycle. The timing cycle

will begin again where it left off when power is reapplied to both terminals 1 and 11. Note that in the NON-RESET mode (switch 7 on), if power is removed from terminal 1 and 11 during the ON timing cycle, the output relays will be deenergized. When power is reapplied to terminal 11, the programmed relay will again be energized. The ON time period will be continued, and the instantaneous relay will again be energized when the control switch to terminal 1 is closed.

OPERATION

Programming Procedure

A series of 7 miniature rocker switches located inside the unit housing are used to program the time ranges and operating modes of the CX100 timer. The following table defines the switch conditions to program the operating parameters. **CAUTION: The product label should always be marked to indicate the operating mode of the unit in case replacement is required.**

X = Switch ON O = Switch OFF Blank = Don't Care

SYM.	ON/OFF TIME FIRST	SWITCH NUMBER						
		1	2	3	4	5	6	7
1	ON Time First	X						
2	OFF Time First	O						
OFF TIME RANGE								
1	199.99 Sec		X	X				
2	1999.9 Sec		O	X				
3	199 Min:59 Sec		X	O				
4	199 Hr:59 Min		O	O				
ON TIME RANGE								
1	199.99 Sec				X	X		
2	1999.9 Sec				O	X		
3	199 Min:59 Sec				X	O		
4	199 Hr:59 Min				O	O		
BATTERY								
1	Battery ON							X
2	Battery OFF							O
RESET MODE								
1	Non-Reset on Power Fail							X
2	Reset on Power Fail							O

Entering and Displaying Setpoints

When the CX100 unit is powered up for the first time, or after the battery has been cycled off and on, the digit display will show four hyphens. The unit will not operate until it has been provided with ON and OFF time setpoints, clearing the display of hyphens.

To create or change the OFF time setpoint, press the **SET1** key. The setpoint, if any, is displayed and the panel key pads become active. The operation of the timing function and the output loads are not affected. For setpoint changes, the SET indicator appears on the

TIME CONTROL



graphics panel. The setpoint is changed by pressing appropriate Δ or ∇ key pads. Pressing a Δ key increments the setpoint digit located above the key; the ∇ key decrements the digit located above the key. If the key is continually depressed the digit will change every .5 second until the key is released. The display will carry to the digit on the left on the 9 to 0 transitions when using the Δ keys. The display will borrow from the digits on the left on the 0 to 9 transitions when using the ∇ keys. On second and minute ranges, the display will carry on the 59 to 00 transition and borrow on the 00 to 59 transition of the two least significant digits.

When the desired setpoint is displayed, touch the **ENT** key. The new setpoint is entered, all Δ and ∇ keys become inoperable and "SET" disappears from the graphics panel. If a new setpoint is entered when the unit is timing, the new setpoint will be in effect upon the next reset.

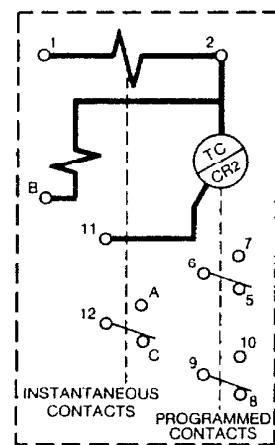
To create or change the ON time setpoint press the **SET2** key. The ON time setpoint is changed by pressing the Δ or ∇ keys as noted above. When the desired setpoint is displayed, press the **ENT** key.

The ON and OFF setpoints may be displayed at any time without disturbing the timing cycle by pressing **SET1** or **SET2**. The actual value is returned by pressing **ENT**.

KEYPAD LOCK

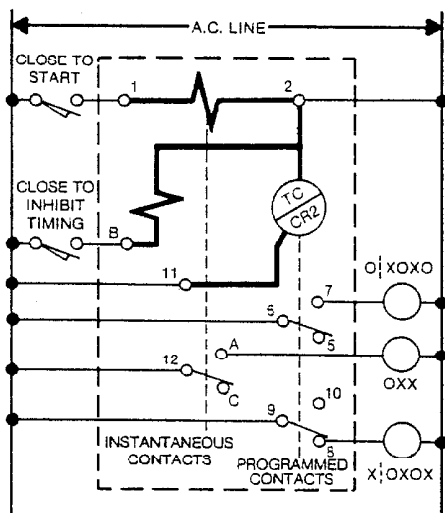
A keypad "lock" is provided on the CX100 Timer to prevent unauthorized tampering. To initiate the keypad lock, press the Eagle Signal logo key for 10 seconds. To disable the lock to change setpoints, remove power from pin 11 and disconnect or turn the battery off. The unit will lose all setpoints and they must be re-entered for further operation.

CX100 TERMINAL ASSIGNMENTS

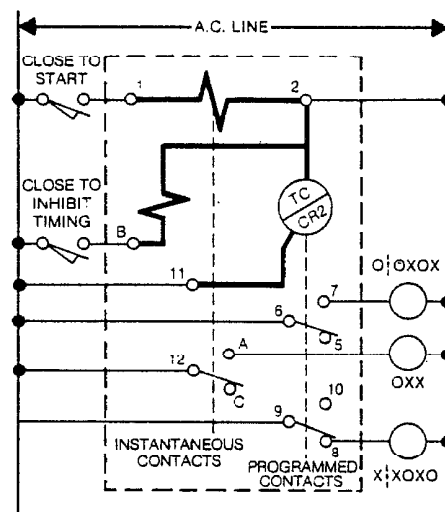


WIRING DIAGRAMS — Bold Lines are Internal Wiring

Power to unit is applied to terminals 11 and 2. The unit is started by applying power to terminals 1 and 2. An isolated input is provided on terminal B which functions as a time inhibit input. One set of instantaneous contacts is provided which transfer whenever terminal 1 is energized. In addition, two sets of programmed contacts are provided. **Note that power should be applied to terminal 11 at least 300 milliseconds before power is applied to terminal 1.**



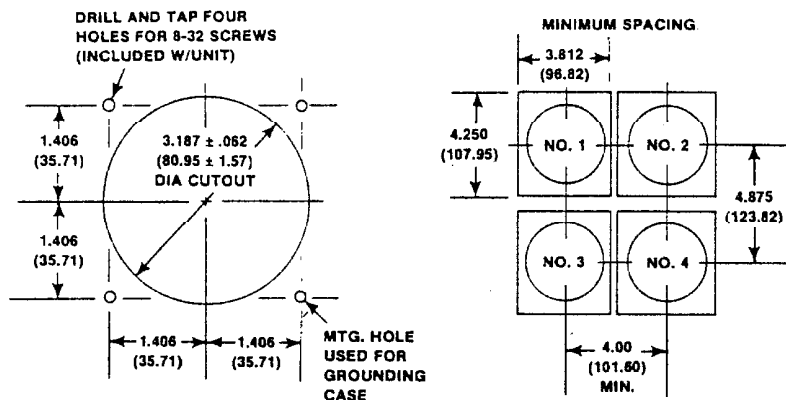
ON Time First - Close control switch to begin timing cycle. Programmed contacts transfer as soon as control input closes.



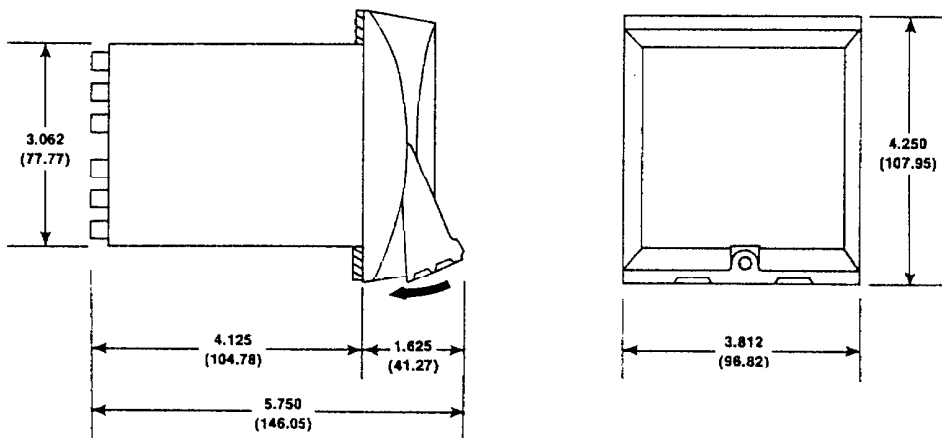
OFF Time First - Close control switch to begin timing cycle. Programmed contacts transfer after the off timing period.



MOUNTING DIMENSIONS



XX = INCHES
(XX) = MILLIMETERS



ORDERING INFORMATION

CX1 00 A6

OUTPUT TYPE

SYMBOL	DESCRIPTION
00	10 Amp Relay Output

VOLTAGE & FREQUENCY

SYMBOL	DESCRIPTION
A6	120 VAC 50/60 Hz
B6	240 VAC 50/60 Hz